



Linea

Balanced Flue Convector Fire

Instructions for Use, Installation and Servicing

For use in GB, IE (Great Britain and Eire)

IMPORTANT

This product contains a Heat resistant glass panel. This panel should be checked during Installation and at each servicing interval. If any damage is observed on the front face of the glass panel (scratches, scores, cracks or other surface defects), the glass panel must be replaced and the appliance must not be used until a replacement is installed. Under no circumstances should the appliance be used if any damage is observed, the glass panel is removed or broken.

Parts of this appliance will become hot during operation; it is therefore recommended that a suitable guard should be used for protection of young children, the elderly or infirm.

This appliance is guaranteed for 2 years (subject to the conditions on page 3 of this Instruction manual). The second year of the guarantee will only be valid if the annual service recommended in this Instruction manual has been completed by a GasSafe registered engineer, and a copy of the service report is available for inspection by a Gazco engineer.

These Instructions must be left with the appliance for future reference and for consultation when servicing the appliance. Please make the customer aware of the correct operation of the appliance before leaving these instructions with them.

The commissioning sheet found on Page 3 of this Instruction manual must be completed by the Installer prior to leaving the premises.

CONTENTS
COVERING THE FOLLOWING MODELS
8651EC P8651EC

| | PAGE |
|--|-------------|
| APPLIANCE COMMISSIONING CHECKLIST | 3 |
| | |
| USER INSTRUCTIONS | 4 |
| | |
| INSTALLATION INSTRUCTIONS | 8 |
| | |
| Technical Specifications | 8 |
| Site Requirements | 9 |
| Installation | 12 |
| Commissioning | 15 |
| | |
| SERVICING INSTRUCTIONS | 16 |
| | |
| Servicing Requirements | 16 |
| Fault Finding | 16 |
| How to replace parts | 18 |
| Basic spare parts list | 24 |
| Service Record | 25 |

APPLIANCE COMMISSIONING CHECKLIST

IMPORTANT NOTICE

Explain the operation of the appliance to the end user, hand the completed instructions to them for safe keeping, as the information will be required when making any guaranteed claims.

| FLUE CHECK | PASS | FAIL |
|--|-------------------|------|
| 1. Flue is correct for appliance | | |
| 2. Flue flow test N/A | | |
| 3. Spillage test N/A | | |
| GAS CHECK | | |
| 1. Gas soundness & let by test | | |
| 2. Standing pressure test | mb | |
| 3. Appliance working pressure (on High Setting) NB All other gas appliances must be operating on full | mb | |
| 4. Gas rate | m ³ /h | |
| 5. Does ventilation meet appliance requirements N/A | | |
| 6. Has the remote hand set been tuned to the control box | YES | NO |

DEALER AND INSTALLER INFORMATION

Dealer

.....

.....

Contact No.....

Date of Purchase.....

Model No.....

Serial No.....

Gas Type.....

Installation Company

.....

.....

Engineer

Contact No.....

Gas Safe Reg No.....

Date of Installation

This product is guaranteed for 2 years from the date of installation, as set out in the terms and conditions of sale between Gazco and your local Gazco dealer. **This guarantee will be invalid, to the extent permitted by law, if the above Appliance Commissioning Checklist is not fully completed by the installer and available for inspection by a Gazco engineer.** The guarantee will only be valid during the second year, to the extent permitted by law, if the annual service recommended in the Instructions for Use has been completed by a Gas Safe registered engineer, and a copy of the service visit report is available for inspection by a Gazco engineer.

USER INSTRUCTIONS

1. GENERAL

In the event of a gas escape or if you can smell gas, please take the following steps:

- Immediately turn off the gas supply at the meter/emergency control valve
- Extinguish all sources of ignition
- Do not smoke
- Do not operate any electrical light or power switches (On or Off)
- Ventilate the building(s) by opening doors and windows
- Ensure access to the premises can be made

Please report the incident immediately to the National Gas Emergency Service Call Centre on 0800 111 999 (England, Scotland and Wales) , 0800 002 001 (N. Ireland) or in the case of LPG, the gas supplier whose details can be found on the bulk storage vessel or cylinder.

The gas supply must not be used until remedial action has been taken to correct the defect and the installation has been recommissioned by a competent person.

- 1.1 Installation and servicing must only be carried out by a competent person whose name appears on the Gas Safe register. To ensure the engineer is registered with Gas Safe they should possess an ID Card carrying the following logo:



- 1.2 In all correspondence, please quote the appliance type and serial number, which can be found on the data badge located on a plate attached to the lower slotted trim, Diagram 5 *Installation Section*.
- 1.3 **Do not** place curtains above the fire: You must have 300mm (1') clearance between the fire and any curtains at either side.
- 1.4 If any cracks appear in the glass panel do not use the appliance until the panel has been replaced.
- 1.5 In the unlikely event the appliance is receiving interference from other electronic devices, the handset/Control box can be reprogrammed. Please consult your dealer if you think this may be the case.
- 1.6 If, for any reason, the flue has to be removed from the appliance, the seals must be replaced in the inner spigot.

- 1.7 Do not obstruct the flue terminal in any way, i.e. by planting flowers, trees shrubs etc in the near vicinity, or by leaning objects up against the terminal guard.
- 1.8 Do not use a garden sprinkler or hose near the terminal.
- 1.9 This product is guaranteed for 2 years from the date of installation, as set out in the terms and conditions of sale between Gazco and your local Gazco dealer. Please consult with your local Gazco dealer if you have any questions. In all correspondence always quote the Model Number and Serial Number.

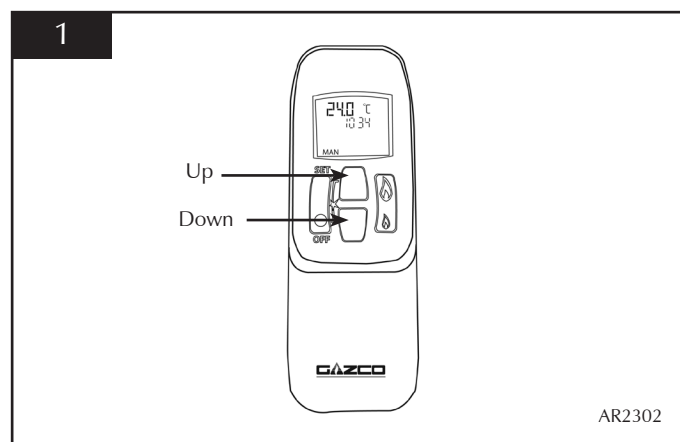
IMPORTANT : NEVER position an LCD/Plasma TV above this fire.

2. LIGHTING THE APPLIANCE

There are two ways of lighting the appliance:

- by thermostatic remote control, see 2A
- using the fire's touch pad, see 2B

2A - THERMOSTATIC and TIMER REMOTE CONTROL



Turning the appliance On

Your remote can control the gas fire from pilot ignition through to shut down.

To turn the fire on:

- Press the OFF button and the UP button simultaneously. You hear several short signals.

The pilot and main burner ignite and the remote is now in Manual Mode:

In 'MANUAL MODE' you can:

- turn on the main burner using the UP button
- regulate the flame from high to low and back
- turn off the burner leaving just the pilot burning

In 'TEMP MODE' (Automatic) you can:

- set the room temperature so the thermostat in the remote automatically maintains that temperature

In 'TIMER MODE' (Automatic) the fire:

- turns on and off according to the set time periods
- automatically regulates the room temperature during the set periods

USER INSTRUCTIONS

**NOTE: WHEN OPERATING THE FIRE IN TEMP OR TIMER MODE, THE PILOT REMAINS LIT AND THE FIRE THEN AUTOMATICALLY SWITCHES ON AT PROGRAMMED TIMES TO BRING THE ROOM TO THE SET TEMPERATURE WHETHER OR NOT YOU ARE IN THE ROOM.
NEVER LEAVE ANY COMBUSTIBLE MATERIALS WITHIN 1 METRE OF THE FRONT OF THE APPLIANCE.**

2.1 SWITCHING BETWEEN MODES

- Press the SET button to change to Temperature Mode
 - Press again to change to Timer Mode
 - Keep pressing to run through all operating modes. These are:
 - MAN
 - DAY TEMP
 - NIGHT TEMP
 - TIMER
- and back to MAN\

NOTE: MAN mode can also be reached by pressing either the UP or DOWN button

2.2 MAN MODE

- Press the OFF button and the UP button simultaneously. You hear several clicks and audible beeps as the fire begins the ignition process , (up to 30 seconds)

Turning the appliance Off

- Press the OFF button to turn the appliance off

FOR SAFETY, YOU MUST WAIT 30 SECONDS BEFORE LIGHTING THE FIRE AGAIN.

INCREASE FLAME HEIGHT

- Press the UP button once to increase flame height one stage. Press and hold the UP button to increase to maximum.

DECREASE FLAME HEIGHT

- Press the DOWN button once to decrease flame height one stage. Press and hold the DOWN button to decrease to minimum. At the lowest point the fire goes to 'Standby Mode' (Only Pilot lit).

NOTE: While pressing a button a symbol indicating transmission appears on the display. The receiver confirms transmission with a sound signal.

2.3 TEMP MODE (AUTOMATIC)

The display shows the current **room** temperature. To increase or decrease the fire's output:

- Press the SET button to select either the DAY TEMP or the NIGHT TEMP mode by briefly pressing the SET button
- Hold the SET button until the TEMP display flashes and then let go
- Set the desired temperature with the UP and DOWN arrows. (Minimum temperature 5C, maximum 40C or 40F to 99F when fahrenheit is the preferred option)
- Press the OFF button to stop the display flashing or wait to return to TEMP mode.

NOTE: If you set a temperature that is beneath the current room temperature, the fire automatically switches to PILOT (Stand by).

NOTE: If you would like the NIGHT temperature control to turn off then decrease the temperature until [-] is displayed.

2.4 TIMER MODE (AUTOMATIC)

There are two programmable settings you can make over a 24 hour period, P1 and P2. These are normally used to provide an early morning and evening setting for each working week:

- P1 + ● = Start Timed Setting 1
- P1 + ☾ = End of Timed Setting 1
- P2 + ● = Start Timed Setting 2
- P2 + ☾ = End of Timed Setting 2

2.4.1 P1 - Program 1 for a Timed Setting

- Press the SET button until the TIMER mode is displayed
- Hold the SET button. The display flashes the current time for P1. **While the time displayed is flashing you can alter the hours and minutes set.**

To set the time your fire first lights, change P1 ●

- Press the UP button to alter the hour
- Press the DOWN button to alter the minutes in 10 minute increments
- Press SET again to move to the end setting for P1 ☾ This is the time your Studio first shuts down:
 - Press the UP button to alter the hour
 - Press the DOWN button to alter the minutes

2.4.2 P2 - Program 2 for a Timed Setting

Use the same steps outlined in 2.4.1 to change the setting for P2.

If you have already set P1 and want to alter the setting for P2 only:

- Press the SET button until TIMER mode is displayed
- Hold the SET button **until the display flashes the current time** for P1 ●
- Press the SET button once again to scroll past the settings for P1 ● and P1 ☾

With the time s t i l l flashing:

- Press the UP button to alter the hour
- Press the DOWN button to alter the minutes

Once all four times are set press the OFF button.

2.4.3 To view existing settings:

- Select Timer Mode
- Press and briefly hold the SET button you see the start time for P1
- Repeat the above step for the start and end of each program.

2.5 LOW BATTERY

"BATT" is displayed on the remote when its batteries need replacement.

2.6 SETTING THE TIME

- Simultaneously press the up and down buttons
- Press the up button to set the hour and the down button to set the minutes
- Press OFF to return to the manual mode or simply wait

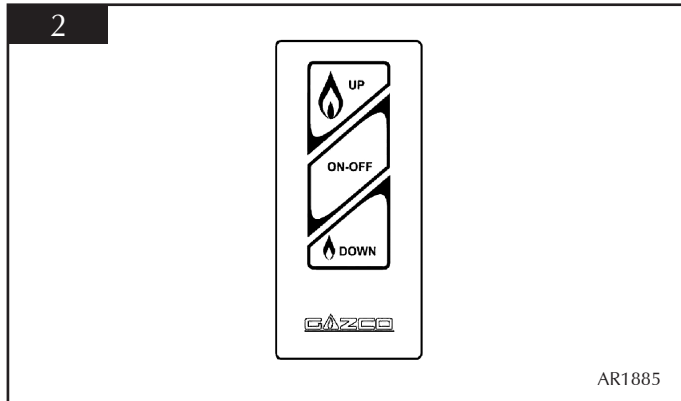
USER INSTRUCTION

2.7 SETTING THE °C/24 HOUR OR °F/12 HOUR CLOCK

- Press OFF and the down arrow until the display changes from °C/24 hour clock to °F/12 hour clock and vice versa.

If the remote is removed, lost or damaged, signals transmitted to the receiver cease. Your fire will go to standby (pilot) mode after 6 hours.

2B - TOUCH PAD CONTROL



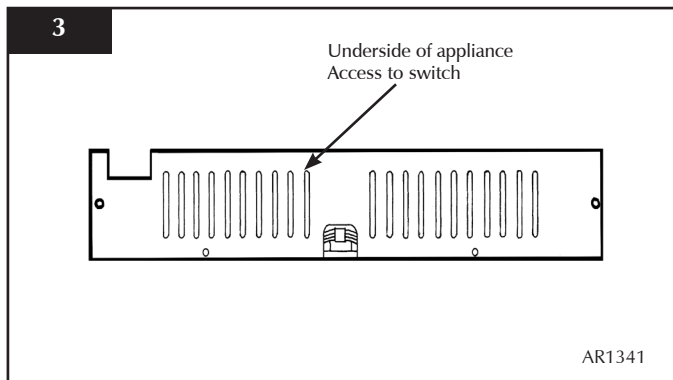
- Press the ON-OFF button to light the appliance, (up to 30 seconds)
- Press the UP button to increase the flame height
- Press the DOWN button to decrease the flame height. At the lowest point it goes to 'standby mode', (only pilot lit)
- Press the ON-OFF button to turn the appliance off

2C EMERGENCY SHUT OFF

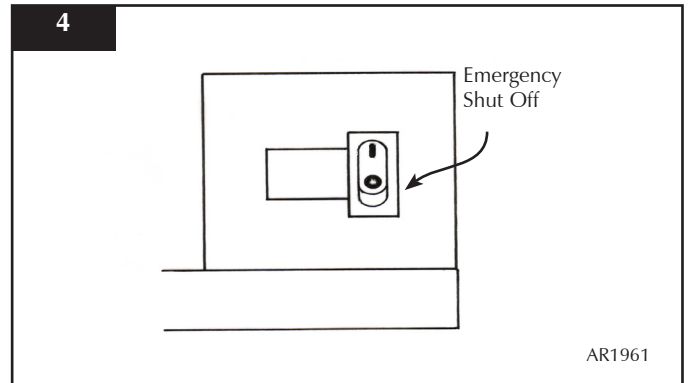
If the batteries fail during use of the fire:

- Move the emergency shut off switch to the OFF (O) position

This emergency switch is located behind the slotted lower panel on the underside of the appliance:



- Use a ball point pen or narrow screwdriver to push the rocker switch to the OFF (O) position, Diagram 4

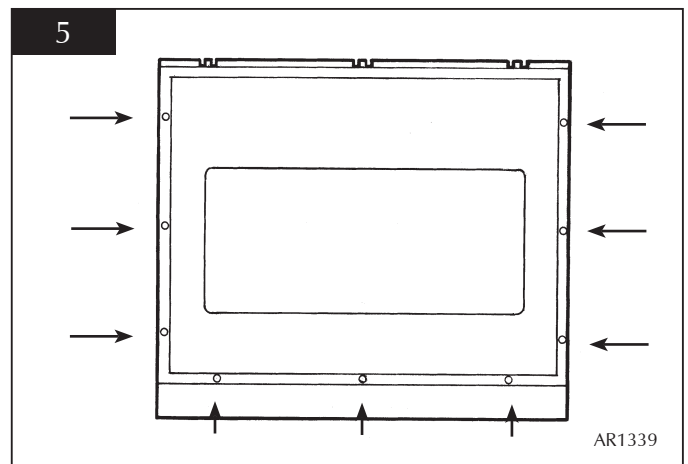


(This switch is set to be ON (|) during normal operation and must remain ON)

3. CLEANING THE LINEA

ENSURE THE APPLIANCE IS COLD BEFORE PROCEEDING.

- 3.1 The outside casing of the Linea should be cleaned using a damp cloth.
- 3.2 To clean the glass panel, remove the decorative front as detailed in the instructions supplied with front.
- 3.3 Remove the glass panel by unscrewing the nine pozidrive screws, Diagram 5



- 3.4 Use a damp cloth and warm soapy water. Ensure the glass is dry before re-assembling.
- 3.5 Ensure that the fibreglass seal on the firebox is intact then hook the location tabs over the hooks on the top of the firebox. Replace the nine screws working from the top down, three long ones in the bottom holes. Tighten the screws evenly.

NEVER OPERATE THE APPLIANCE WHEN THE GLASS PANEL IS REMOVED OR BROKEN.

USER INSTRUCTION

4. FLAME FAILURE DEVICE

- 4.1 This is a safety feature incorporated on this appliance which automatically switches off the gas supply if the pilot goes out and fails to heat the thermocouple.

5. RUNNING IN

- 5.1 The surface coating on the ceramic panel used in your GAZCO fire will "burn off" during the first few hours of use producing a harmless and temporary odour. This will disappear after a short period of use. If the odour persists, ask your installer for advice.
- 5.2 During the first few hours of burning there may be discolouration of the flames. This will also disappear after a short period of use.

6. SERVICING

- 6.1 The fire must be serviced every 12 months by a qualified Gas Engineer. In all correspondence always quote the Model number and the Serial number which may be found on the data badge.

7. VENTILATION

- 7.1 This appliance requires no additional ventilation.

8. INSTALLATION DETAILS

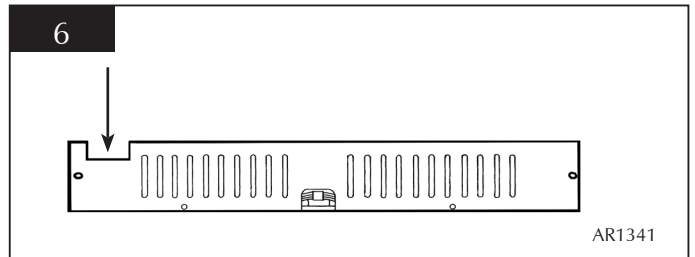
- 8.1 To assist in any future correspondence, your installer should have completed the commissioning sheet at the front of this book, this records the essential installation details of the appliance. In all correspondence always quote the Model number and Serial number.

9. HOT SURFACES

- 9.1 Parts of this appliance become hot during normal use. It is therefore recommended that a suitable fire guard be used for protection of young children and the infirm. Indeed, all parts of the appliance should be treated as a 'working surface' except for the control touch pad area and access panel (**Designio version only**).

10. BATTERY REPLACEMENT

- 10.1 If the Linea is fitted with a Designio front, access to the batteries can be achieved by simply dropping the lower front access cover.
- 10.2 If the Linea is fitted with a Plano, Vetro or Steel front, access to the batteries can be achieved through the access hole in the casing below the unit, Diagram 6.



- 10.3 Replace the batteries with four 'AA' size cells, ensuring they are in the correct orientation as shown in the diagram in the base of the plastic holder.
- 10.4 Once the batteries have been replaced, carefully locate the battery holder back into its cradle in the base of the appliance.

11. FIRE WILL NOT LIGHT

- 11.1 If you cannot light the Linea:
- Check that the emergency shut off switch is in the ON (1) position, see *Section 2C, Emergency Shut Off*
 - Check and change the batteries in the remote handset
 - Check and change the appliance batteries, Section 10. Consult your Gazco dealer if the Linea still does not light.

INSTALLATION INSTRUCTIONS

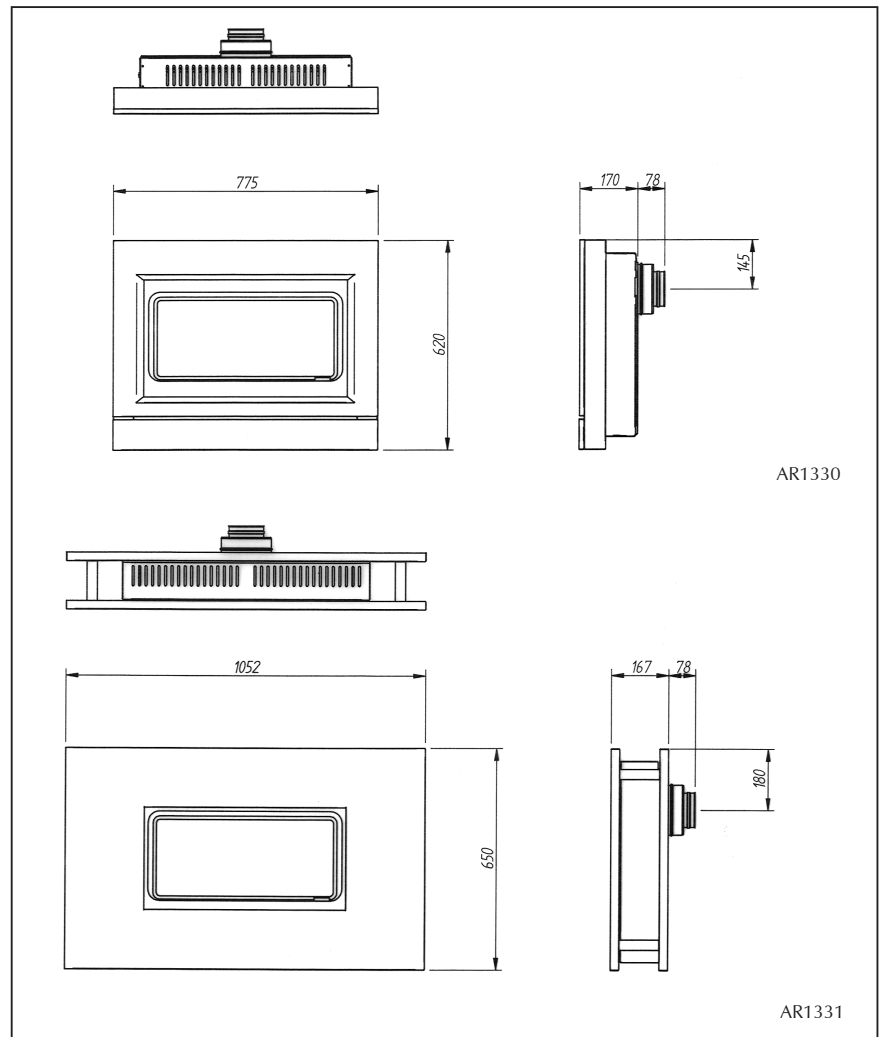
TECHNICAL SPECIFICATION

COVERING THE FOLLOWING MODELS
8651EC P8651EC

| Model | Gas CAT. | Gas Type | Working Pressure | Aeration | Injector | Gas Rate m ³ /h | Input kW (Gross) | | Nox Class | Country |
|-----------|------------------|---------------|---|-----------------------|----------|----------------------------|------------------|-----|-----------|---------|
| | | | | | | | High | Low | | |
| Linea NG | I ₂ H | Natural (G20) | 20mbar | 2 x 8mm | 1.7 | 0.50 | 5.25 | 3.5 | 4 | GB, IE |
| Linea LPG | I ₃ P | Propane (G31) | 37mbar | 1 x 7.5mm 2 x 10mm | 1.2 | 0.20 | 5.25 | 3.5 | 4 | GB, IE |
| | | | Efficiency Class I Flue Outlet Size 100 Ø / 152mm Ø Gas Inlet Connection Size 8mm Ø Wall Thickness - Minimum = 100mm (4") Maximum = 500mm Linea Replacement Batteries - 4 x 'AA' Cells Handset Replacement Batteries - 1 X 9v 'PP3' Cell | | | | | | | |

PACKING CHECKLIST

| Qty | Description |
|-----|--|
| 1 | Linea assembly including fixing bracket |
| 1 | Flue Pipe |
| 1 | Terminal Guard |
| 1 | Remote Hand Set |
| 1 | Terminal Guard Fixing Kit Containing: 4 Wood Screws 1 ¹ / ₄ " (32mm) 4 Red Rawlplugs |
| 1 | Linea Fixing Kit Containing: 4 Wood Screws 2 ¹ / ₂ " (60mm) 4 Brown Rawlplugs 1 Aluminium Tape 1 Sealing Ring 4 x "AA" Cells 1 x 9v 'PP3' Cell |
| 1 | Instruction Manual |



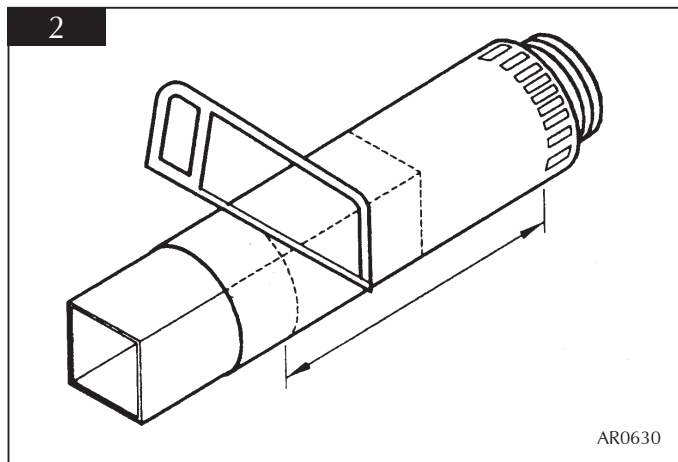
INSTALLATION INSTRUCTIONS

SITE REQUIREMENTS

1. FLUE AND CHIMNEY REQUIREMENTS

NOTE: This appliance can only be installed in conjunction with the flue supplied.

- 1.1 The flue must be sited in accordance with BS5440: Part 1 (latest edition). See diagram 1.
- 1.2 Any terminal which is less than 2 metres above any access (level ground, balcony or above a flat roof to which people have access) is to be fitted with a guard.
- 1.3 The flue must be securely fixed and fire precautions followed in accordance with local and national codes of practice.
- 1.4 The horizontal terminal can be reduced in size. See diagram 2.



1

| Dimension | Terminal position | Minimum Distance |
|-----------|---|------------------|
| A* | Directly below an opening, air brick, opening windows, etc. | 600mm |
| B* | Above an opening, air brick opening windows, etc. | 300mm |
| C* | Horizontally to an opening, air brick opening windows etc. | 400mm |
| D | Below gutters, soil pipes or drain pipe | 300mm |
| E | Below eaves | 300mm |
| F | Below balconies or car port roof | 600mm |
| G | From a vertical drain pipe or soil pipe | 300mm |
| H | From an internal or external corner | 600mm |
| I | Above group roof or balcony level | 300mm |
| J | From a surface facing the terminal (also see 6.1.2) | 600mm |
| K | From a terminal facing the terminal | 600mm |
| L | From an opening in the car port (e.g. door, window) into the dwelling | 1200mm |
| M | Vertically from a terminal on the same wall | 1500mm |
| N | Horizontally from a terminal on the same wall | 300mm |
| O | From the wall on which the terminal is mounted | N/A |
| P | From a vertical structure on the roof | 600mm |
| Q | Above intersection with roof | 300mm |

* In addition, the terminal should not be nearer than 300mm to an opening in the building fabric formed for the purpose of accommodating a built-in element such as a window frame

AR0602

INSTALLATION INSTRUCTIONS

SITE REQUIREMENTS

TIMBER FRAMED BUILDINGS

- 1.5 It will be necessary to provide additional clearance when the flue passes through a wall containing any combustible materials so as to prevent a fire hazard.
- 1.6 The hole through which the flue will pass, must have a steel sleeve which is positioned so that an air gap of at least 25mm is maintained between the outer surface of the flue, and any part of the sleeve.
- 1.7 For further guidance on the installation of gas appliances in timber framed buildings, contact your local buildings control authority.

2. GAS SUPPLY

- 2.1 Before installation, ensure that the local distribution conditions (identification of the type of gas and pressure) and the adjustment of the appliance are compatible.
- 2.2 Ensure that the gas supply is capable of delivering the required amount of gas and is in accordance with the rules in force.
- 2.3 Soft copper tubing can be used to install the appliance. Soft soldered joints can be used externally of the appliance.
- 2.4 This appliance is supplied complete with a factory fitted isolation device incorporated into the inlet connection, no further isolation device is required.
- 2.5 All supply gas pipes must be purged of any debris that may have entered, prior to connection to the appliance.
- 2.6 The gas inlet is located centrally at the bottom of the appliance. The supply pipe may be installed using one of three alternatives.
 - 1) By drilling a hole straight through the outside wall. There is a cutout in the back panel of the Linea and the fixing bracket to allow the pipe to be concealed within the appliance.
 - 2) Surface mounting the pipe. For this option there is a pipe cover kit 8654. This consists of
 - a) 1.4 Metre Cover
 - b) 2 Brackets
 - c) Screws and Rawlplugs

To fit the cover, measure the length required and cut down accordingly. Fix the two brackets to the wall as required. The magnets should be vertical. Fix pipe clips to the wall and install the gas pipe. The cover can now be attached to the magnets to cover the gas supply.

NOTE: There are three options of cover finishes. Black, Metallic Alloy and primed finish which allows the customer to finish any chosen colour.

3) The gas pipe can be concealed by cutting a channel in the wall. All current regulations must be adhered to and no pipe joint must be concealed in the wall.

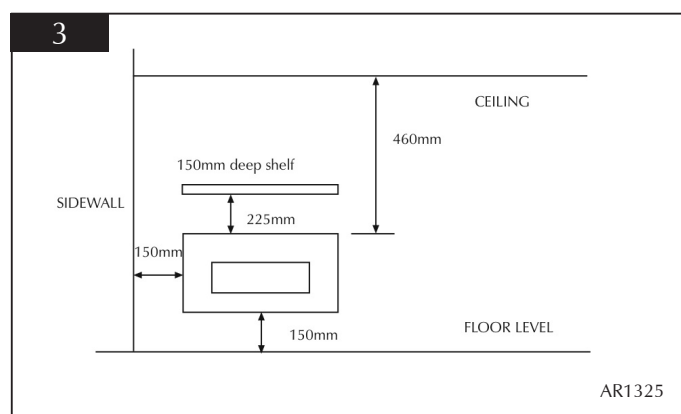
3. VENTILATION

- 3.1 This appliance requires no additional ventilation.

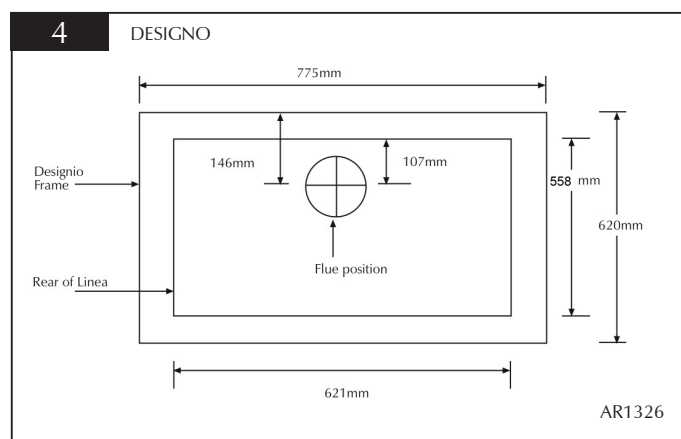
4. APPLIANCE LOCATION

IMPORTANT: DO NOT OBSTRUCT THE TOP AND BOTTOM SLOTS IN THE LINEA OUTER CASE, THESE MUST BE UNOBSTRUCTED. DO NOT RECESS THIS APPLIANCE INTO A WALL, IT MUST BE SURFACE MOUNTED ON A FLAT WALL USING THE WALL MOUNTING BRACKET SUPPLIED.

- 4.1 This appliance does not require a hearth. It can only be fitted on an outside wall with suitable clearances for the flue terminal and guard (if required). As detailed in diagram 1.
- 4.2 All minimum clearances must be complied with. See diagram 3. These clearances are to the outside edge of the decorative frame and are therefore dependant on the frame chosen.

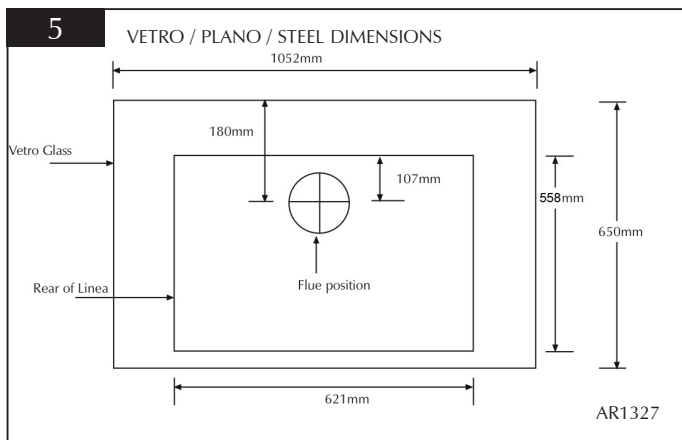


- 4.3 The outer dimensions of the frames and their position relative to the flue centre of the Linea are detailed in diagrams 4 and 5.

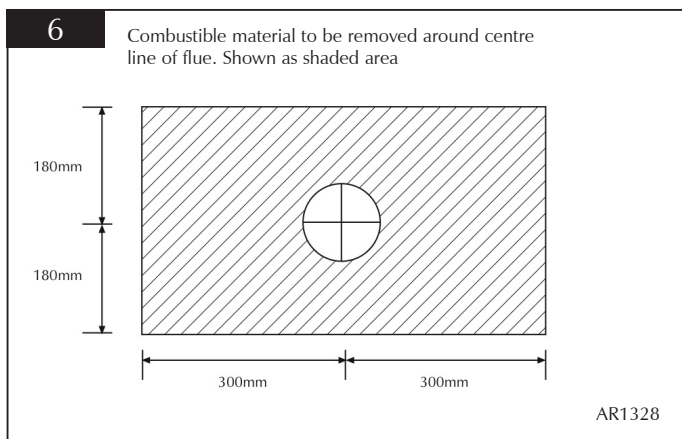


INSTALLATION INSTRUCTIONS

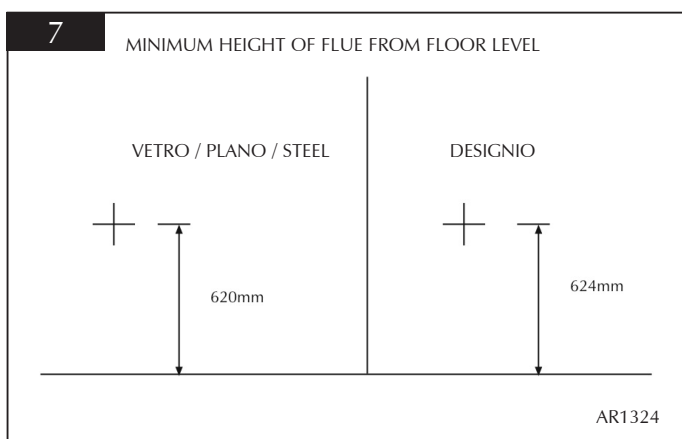
SITE REQUIREMENTS



- 4.4 All combustible materials must be removed from behind the appliance. See diagram 6.



- 4.5 The Linea may be mounted at any height, however, there must be a minimum clearance of 150mm (6") between the bottom edge of the appliance and the floor. To achieve this, the minimum flue height for each front is shown in diagram 7.



INSTALLATION INSTRUCTIONS

INSTALLATION

IMPORTANT: BEFORE THE APPLIANCE CAN BE OPERATED THE REMOTE HANDSET MUST BE TUNED TO THE CONTROL BOX SITUATED UNDER THE APPLIANCE. IF THIS PROCEDURE IS OMITTED THE APPLIANCE CAN ONLY BE LIT USING THE TOUCH PAD, SEE *USER INSTRUCTIONS, 2B TOUCH PAD CONTROL.*

ENSURE THAT THE APPLIANCE IS CORRECTLY ADJUSTED FOR THE GAS TYPE AND CATEGORY APPLICABLE IN THE COUNTRY OF USE. REFER TO DATA BADGE AND THE *TECHNICAL SPECIFICATIONS* ON PAGE 8.

FOR DETAILS OF *CHANGING BETWEEN GAS TYPES* REFER TO THE *SERVICING INSTRUCTIONS.*

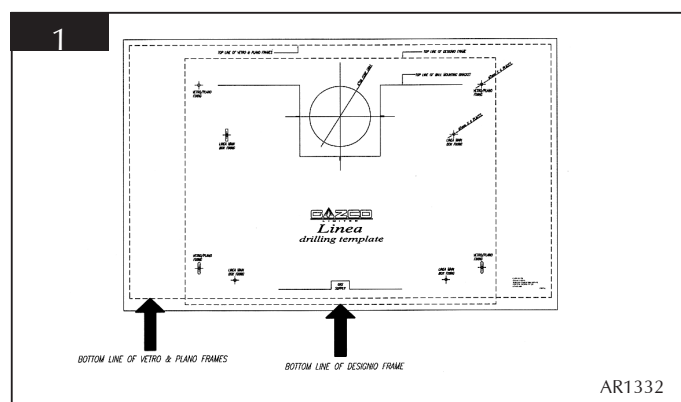
1. SAFETY PRECAUTIONS

- 1.1 This appliance must be installed in accordance with the rules in force, and used only in a sufficiently ventilated space. Please read these instructions before installation and use of this appliance.
- 1.2 These instructions must be left intact with the user.
- 1.3 Do not attempt to burn rubbish on this appliance.
- 1.4 In your own interest, and those of safety, this appliance must be installed by competent persons in accordance with local and national codes of practice. Failure to install the appliance correctly could lead to prosecution.
- 1.5 Keep all plastic bags away from young children.

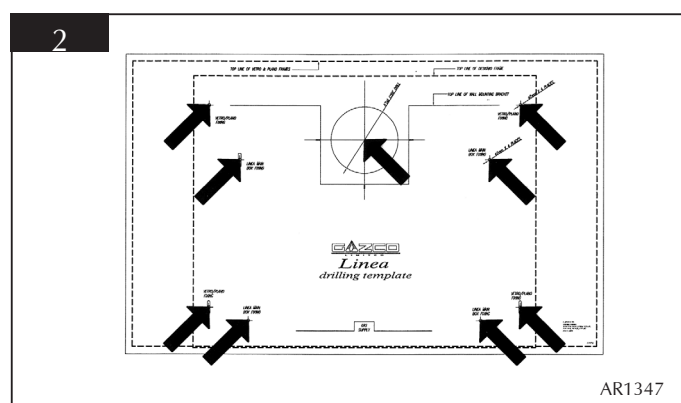
IF THE APPLIANCE IS EXTINGUISHED OR GOES OUT IN USE, WAIT 3 MINUTES BEFORE ATTEMPTING TO RELIGHT THE APPLIANCE.

2. INSTALLATION OF THE APPLIANCE

- 2.1 Remove the appliance from the box and remove the two screws, one from either side near the top of the black surround. This will release the wall-fixing bracket.
- 2.2 Decide on the position of the Linea and Decorative front and mark the intended position of the outer bottom edge of the frame. Refer to diagram 4 and 5 in the site requirements for overall dimensions of the decorative frames.
- 2.3 Having marked the position of the outer bottom edge, position the template supplied ensuring that the line on the wall aligns with the appropriate decorative frame bottom edge on the template. See diagram 1.



- 2.4 Having ensured that the template is level, mark the centre of the flue hole and the position of four fixing holes for the wall-fixing bracket. See diagram 2.
Note: If a Vetro, Plano or Steel decorative front has been purchased, it will also be necessary to mark the positions of the four fixing holes for the front.

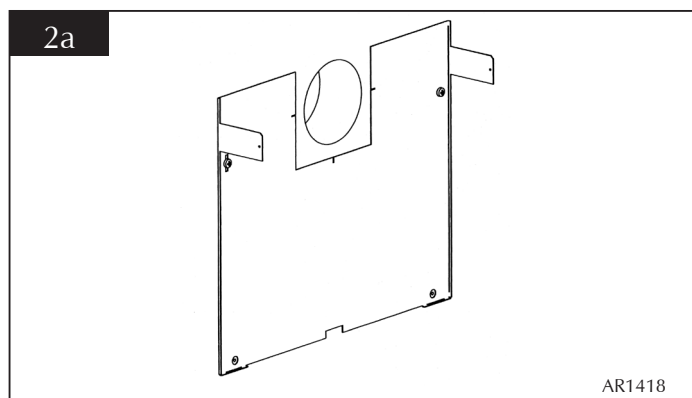


TAKE CARE WHEN MARKING OUT THE FLUE AS IT IS VERY DIFFICULT TO MOVE AFTER INSTALLATION.

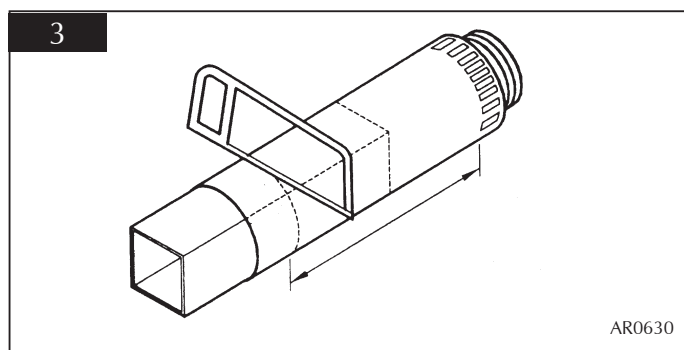
- 2.5 A 152mm (6") diameter hole is required to install the flue. This can be achieved by either:
 - a) Core drill
 - b) Hammer and chisel
 - c) Drill small holes around the circumference, knock out the centre and make good at both ends.
- 2.6 When the hole for the flue has been completed, insert the four brown rawplugs supplied and attach the fixing bracket using only the top two screws. See diagram 2a.

INSTALLATION INSTRUCTIONS

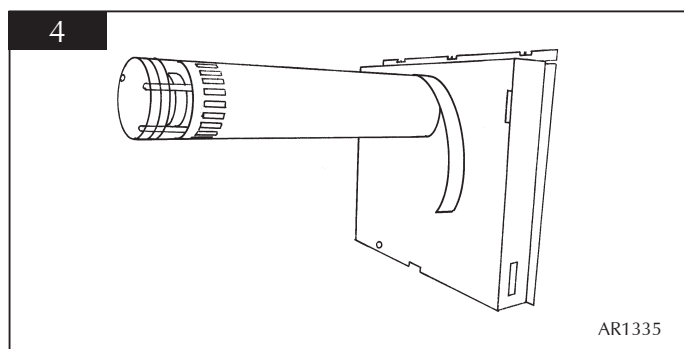
INSTALLATION



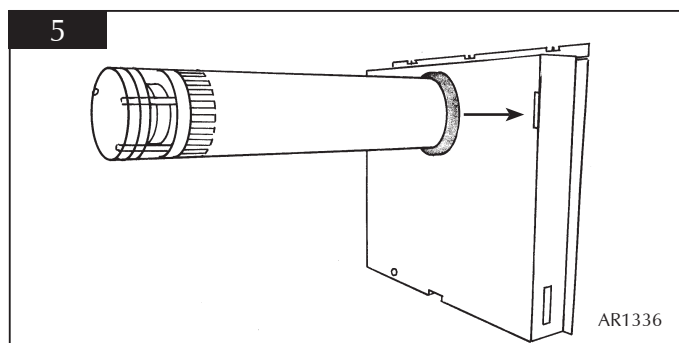
- 2.7 The flue can now be cut to size. Measure the thickness of the wall, then deduct 12mm. This is the length required when measuring from the line on the flue label. See diagram 3.



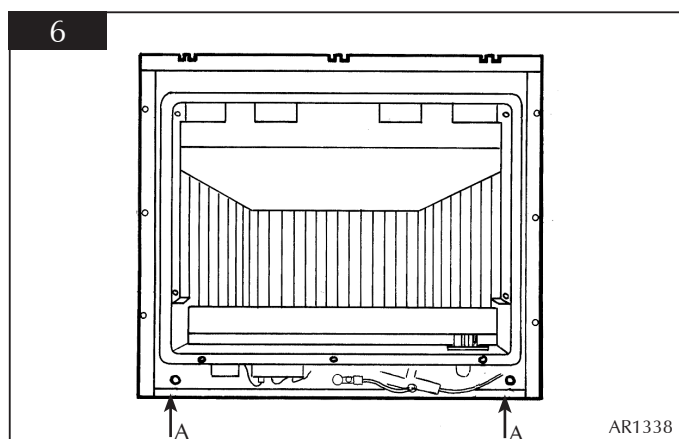
- 2.8 Attach the flue to the appliance and seal using the aluminium tape. See diagram 4.



- 2.9 Place the sealing ring over the flue and position it up against the rear of the appliance. See diagram 5.



- 2.10 Fit the appliance on to the wall bracket by engaging the arms on the bracket into the slots in the rear of the appliance. See diagram 5.
- 2.11 Fit the appliance as far back as possible and refit the two screws to secure the Linea to the wall bracket.
- 2.12 Fit the lower two wood screws through the rear of the appliance and into the wall. See diagram 6 arrow A.



DO NOT OVER TIGHTEN. DO NOT DEFORM THE REAR OF THE APPLIANCE.

- 2.13 Connect the gas supply to the isolation device using 8mm pipe. Connect a suitable pressure gauge to the test point and turn on the gas supply and check for leaks.
- 2.14 Light the appliance and set it to maximum. Check the pressure corresponds to the data badge. Turn the gas off and replace the test point screw. Turn the gas on and check the screw for leaks.

THE YELLOW FLAMES WILL APPEAR WHEN THE FIRE HAS GAINED SUFFICIENT HEAT - TYPICALLY 20 MINUTES.

INSTALLATION INSTRUCTIONS

INSTALLATION

3. LIGHTING THE LINEA

Note: The Emergency Shut Off switch must be in the ON position, refer to *Section 2, User Instructions*.

There are two ways of lighting the Studio:

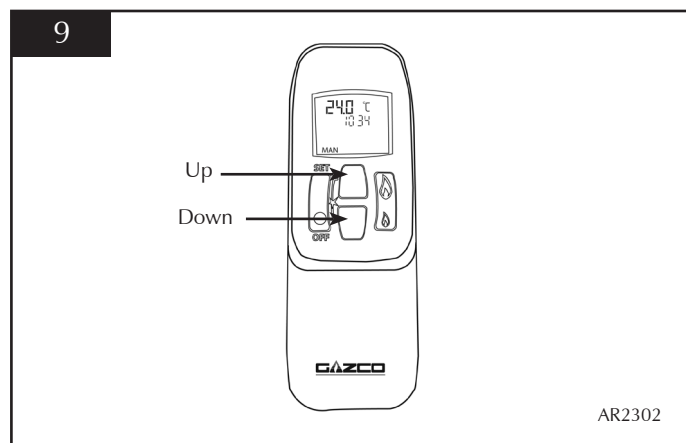
- by thermostatic remote control
- using the fire's touch pad

THERMOSTATIC REMOTE CONTROL

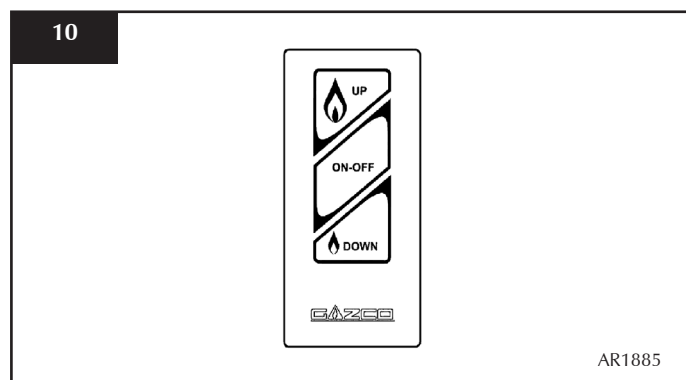
To light the appliance using the handset:

- Press OFF and UP buttons simultaneously

You hear a beep as the ignition process begins.



TOUCH PAD CONTROL



- Press the ON-OFF button to light the appliance, (up to 30 seconds)
- Press the UP button to increase the flame height.
- Press the DOWN button to decrease the flame height. At the lowest point it goes to 'standby mode', (only pilot lit)
- Press the ON-OFF button to turn the appliance off.

4. REPROGRAMMING HANDSET/CONTROL BOX

To access the control box see *Servicing Instructions, Section 11 - Control Box*.

- Press and hold the reset button on the control box until you hear two signals. After the second longer signal:
 - Release the reset button and within 20 seconds
 - Press the DOWN button on the handset until you hear an additional long signal confirming the new code

INSTALLATION INSTRUCTIONS

COMMISSIONING

5. COMMISSIONING

- 5.1 Complete the Commissioning Checklist at the front of this manual covering:
- Flue checks
 - Gas checks
- 5.2 In the unlikely event that the appliance is receiving interference from other electronic devices, re-programme the handset/Control box

SERVICING INSTRUCTIONS

SERVICING / FAULT FINDING CHARTS

1. SERVICING REQUIREMENTS

IMPORTANT – The glass panel on this appliance should be checked for any signs of damage on the front face of the glass panel (scratches, scores, cracks or other surface defects). If damage is observed, the glass panel must be replaced and the appliance must not be used until a replacement is installed. Under no circumstances should the appliance be used if any damage is observed. Please isolate the appliance until a replacement glass panel has been obtained and installed. Replacement glass panels can be purchased from Gazco via the dealer from which the appliance was purchased or any other Gazco distributor.

This appliance must be serviced at least once a year by a competent person.

All tests must be serviced by best practice as described by the current Gas Safe recommendations.

- 1.1 Before any tests are undertaken on the appliance:
 - Conduct a gas soundness test for the property to ensure there are no gas leaks prior to starting work.
- 1.2 Fully check the operation of the appliance

Special checks

- 1.2.1 Clean any lint or fluff from the pilot
- 1.2.2 Clean away any fluff or lint from under the burner
- 1.2.3 Check the spark gap on the pilot is correct
 - Correct any faults found during the initial tests
 - Re-commission the appliance conducting the usual safety checks

- 1.3 Advise the customer of any remedial action taken.

REPLACE BATTERIES BEFORE ATTEMPTING TO RECTIFY ANY FAULTS.

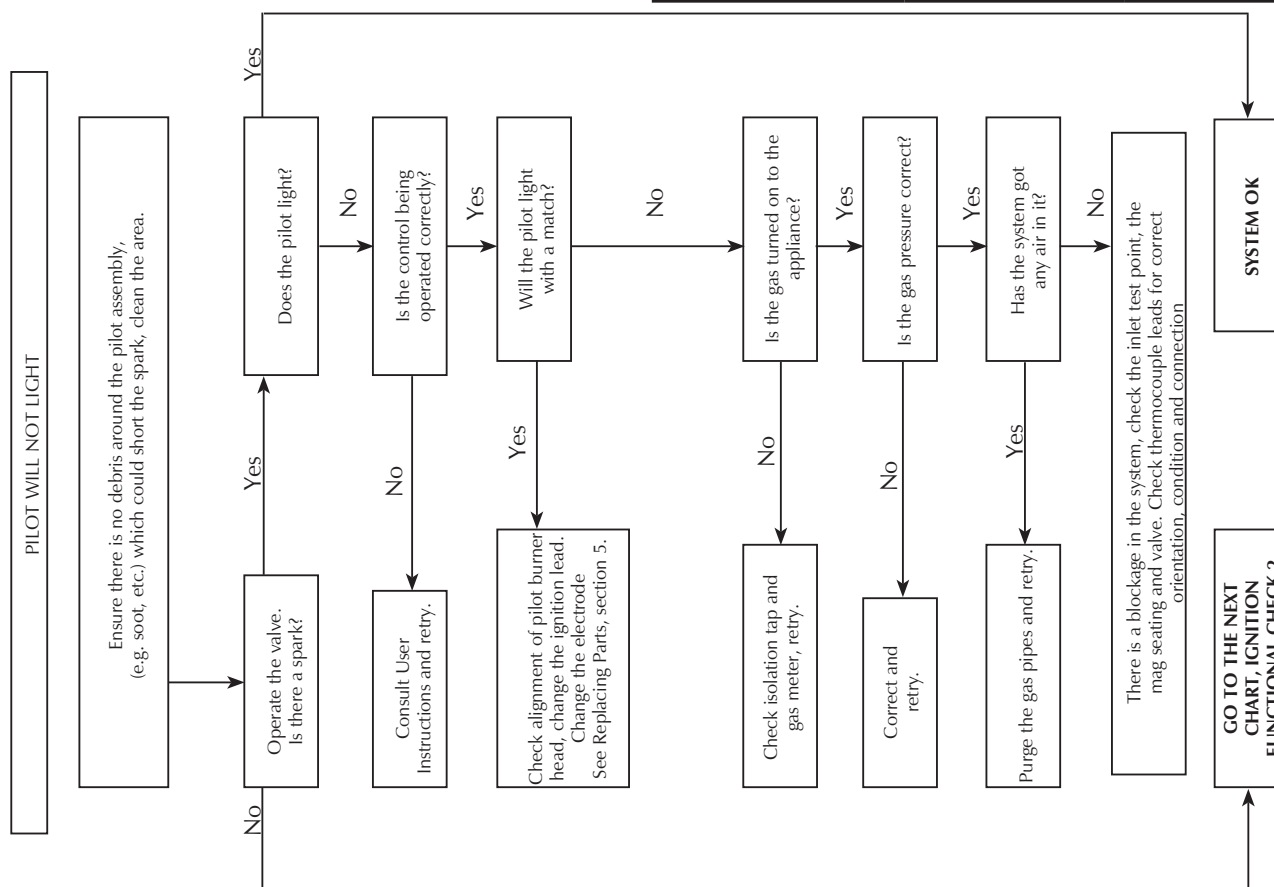
IF THE FIRE DOES NOT WORK, BUT HAS WORKED IN THE PAST:

- **CHECK THE EMERGENCY SHUT OFF SWITCH ON THE BOTTOM OF THE APPLIANCE IS SWITCHED ON, SEE USER SECTION, PAGE 6**

Electronic Control Valve Fault Analysis

| Symptom | Cause | Remedy |
|--|--|---|
| 3 Short beeps from control | Batteries low in appliance | Replace appliance batteries |
| No ignition, 5 second continuous tone (there may be several short beeps before) | 1. On/Off switch is in OFF position 2. Loose/damaged wire | 1. Move switch to ON position 2. Check interruptor block and wires |
| No ignition, no tone, motor turns slightly when operated | Receiver board damaged | Replace receiver |
| No pilot flame and control continues to spark | Thermocouple circuit wired incorrectly | Correct wiring |
| Pilot lights, control continues to spark, valve shuts down after 10 - 30 seconds | 1. No spark at pilot burner 2. Loose/damaged wire | 1. Rectify spark at pilot burner 2. Check interrupter and wires |

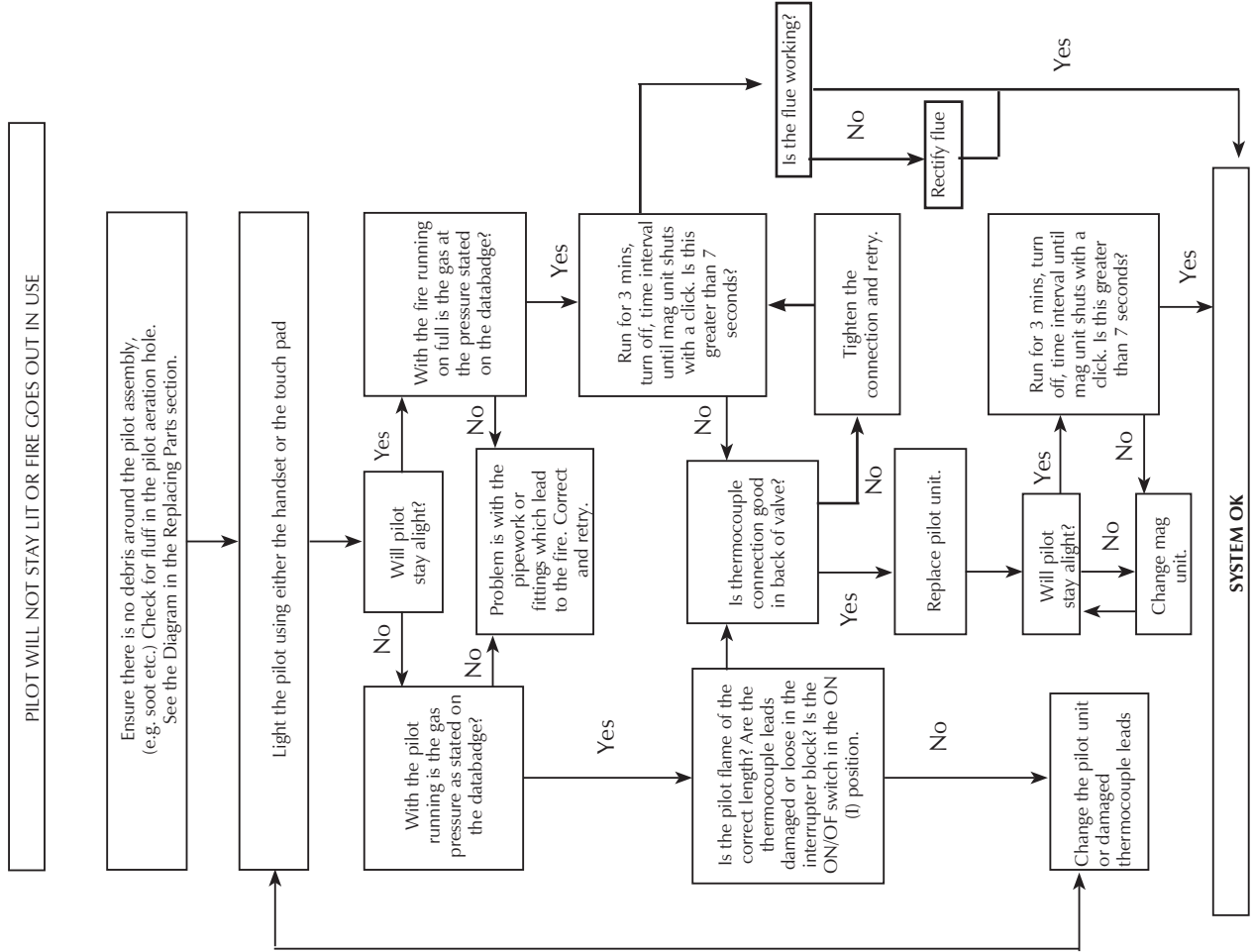
IGNITION FUNCTIONAL CHECK 1



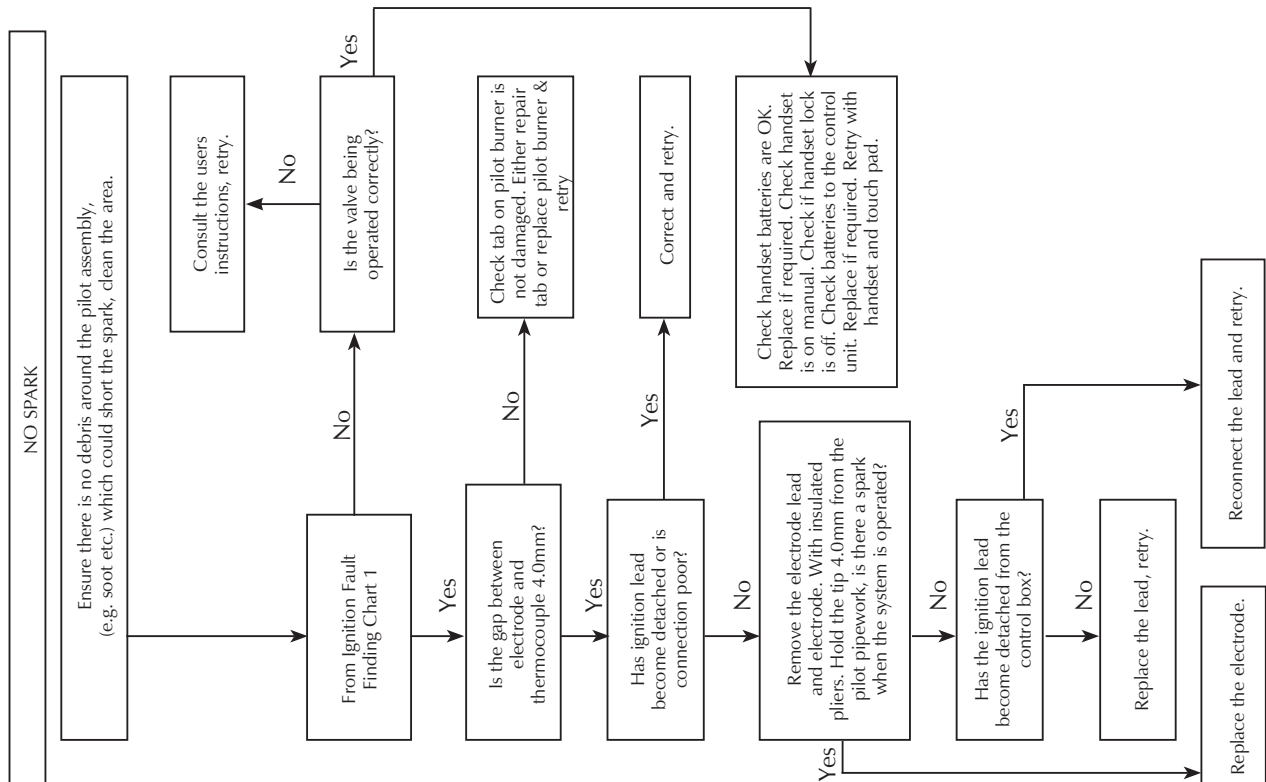
SERVICING INSTRUCTIONS

FAULT FINDING CHARTS

FLAME FAILURE FUNCTIONAL CHECK 3



IGNITION FUNCTIONAL CHECK 2



SERVICING INSTRUCTIONS

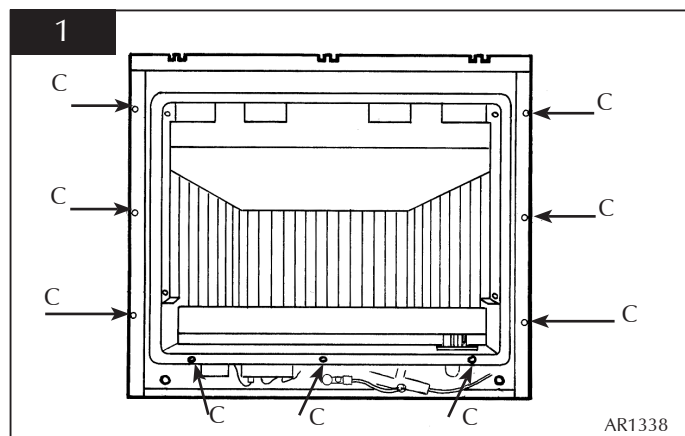
REPLACING PARTS

1. GENERAL

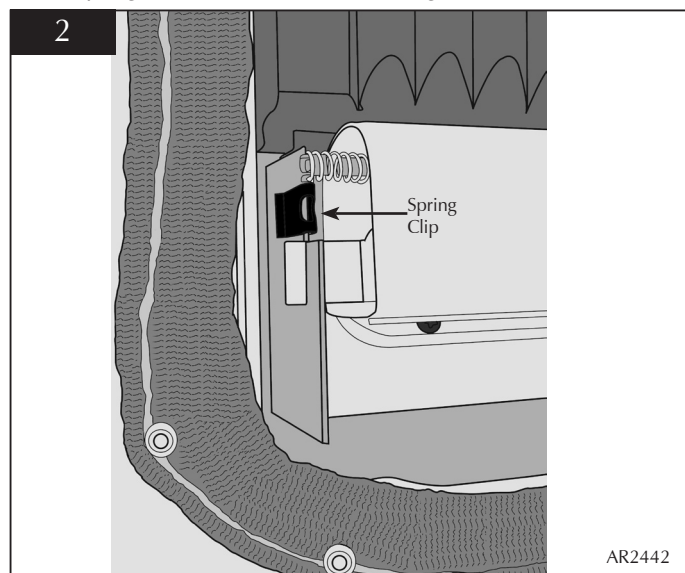
- 1.1 All principal components can be replaced without removing the appliance from its installation, although it is essential that the gas supply to the appliance is turned off at the isolation device before proceeding further.
- 1.2 If for any reason the flue has to be removed from the appliance, the seal must be replaced in the inner spigot.
- 1.3 If access to the controls is restricted, the whole control assembly and wiring loom can be removed and serviced outside the Linea, refer to section 14 for further details.

2. MAIN BURNER

- 2.1 Remove the front from the appliance. (Refer to the instructions supplied with the decorative front)
- 2.2 Remove the glass frame, note the orientation of the screws. The three long silver screws locate only in the bottom of the frame. See diagram 1, arrow C.



- 2.3 Remove the spring clip then compress the burner retaining spring towards the burner. See diagram 2.



- 2.4 Raise the burner from the slot in the bracket, pull the burner forward and slide to the left to clear the injector. Take care not to lose the spring.
- 2.5 Replace in reverse order ensuring the spring is located over the stud on the burner and the tab on the bracket.

3. PILOT UNIT

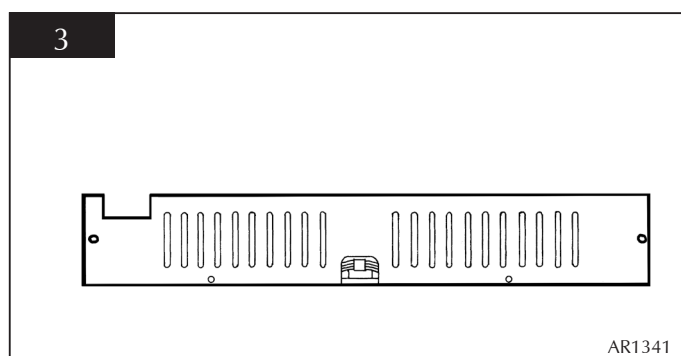
The main frame, glass frame and main burner need only be removed if the pilot burner is to be replaced. If only the pilot injector, electrode or thermocouple is to be replaced they can be accessed from under the appliance.

The pilot assembly consists of four components, which can be individually changed, these are:

- 1) Pilot burner bracket.
- 2) Pilot injector
- 3) Electrode
- 4) Thermocouple.

4. PILOT BURNER

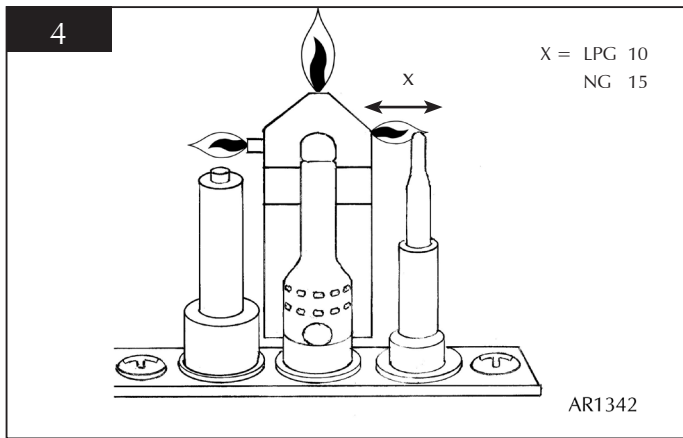
- 4.1 Remove the main front by referring to the instructions supplied with the decorative front.
- 4.2 Remove the glass frame from the appliance. See diagram 1 arrow C.
- 4.3 Remove the main burner by compressing the spring on the lefthand side of the burner. See diagram 2. Raise the burner forward and slide to the left to clear the injector. Take care not to lose the spring.
- 4.4 Working underneath the appliance, remove the lower panel. See diagram 3.



- 4.5 Remove the thermocouple, pilot pipe and electrode as described in the sections 5 to 7.
- 4.6 Remove the two screws retaining the pilot burner. See diagram 4.

SERVICING INSTRUCTIONS

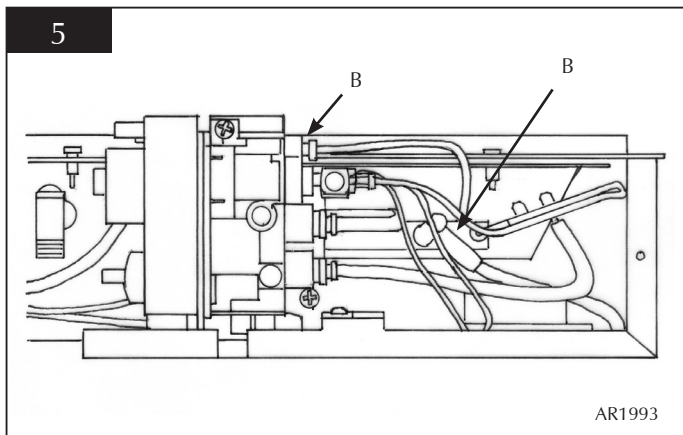
REPLACING PARTS



- 4.7 Reassemble in reverse order and replace the pilot gasket with a new one.
- 4.8 Check for gas leaks.

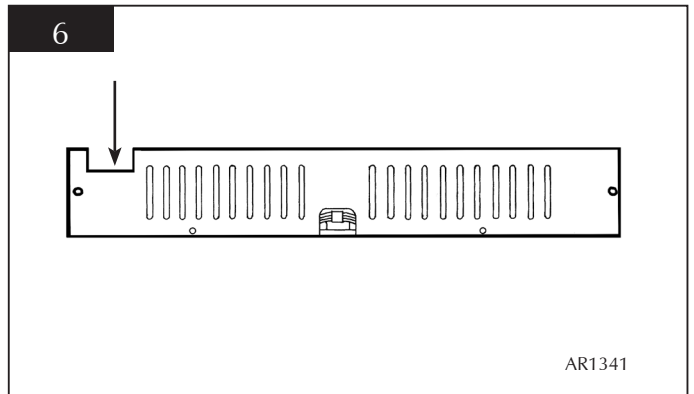
5. PILOT INJECTOR

- 5.1 To gain access to the pilot pipe, it is easier if the thermocouple is removed first. To do this follow section 7.
- 5.2 Undo the pilot pipe from the gas valve and from under side of the pilot burner. See diagram 5 arrow B.
- 5.3 Remove the pipe and the injector will drop out from the burner. Take care not to lose or damage the injector.
- 5.4 To replace the injector reverse the above procedure.
- 5.5 Check for gas leaks.

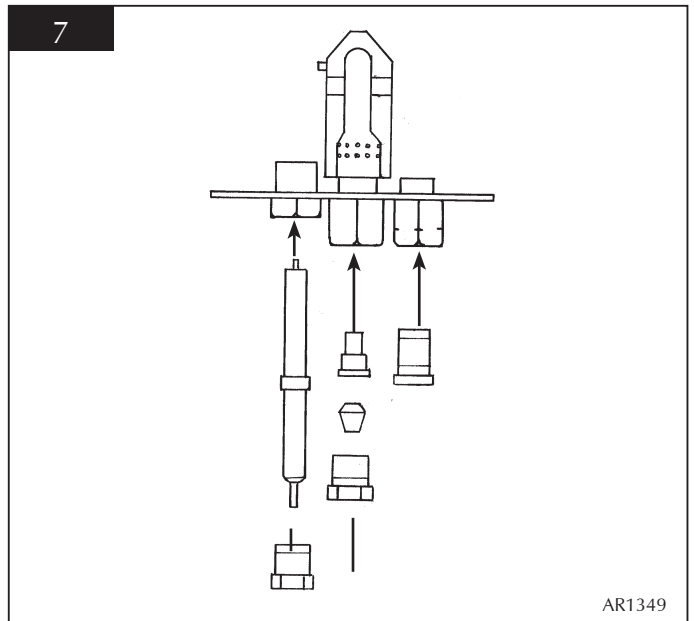


6. ELECTRODE

- 6.1 Remove the lower panel. See diagram 6.



- 6.2 Pull the ignition lead off the electrode and undo the retaining nut. See diagram 7.



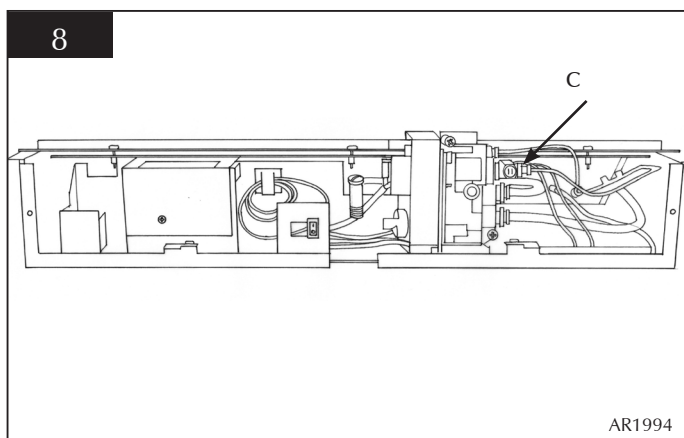
- 6.3 Replace with a new electrode. Do not over tighten the nut as this could break the new component.
- 6.4 Replace the ignition lead and the lower panel.

7. THERMOCOUPLE

- 7.1 Remove the lower panel. See diagram 6.
- 7.2 Disconnect the thermocouple from the gas valve. See diagram 8 arrow C.

SERVICING INSTRUCTIONS

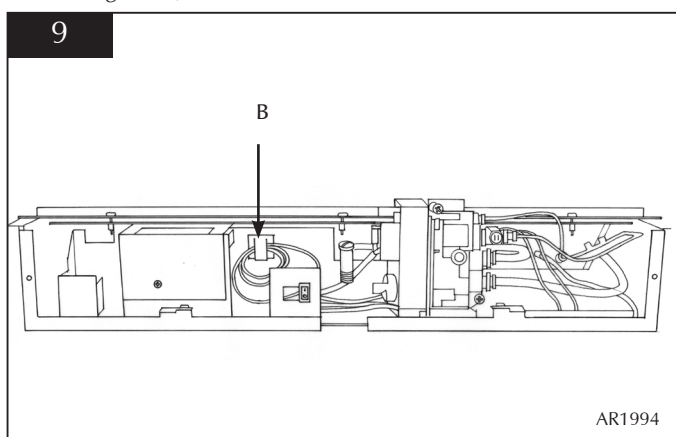
REPLACING PARTS



- 7.3 Undo the thermocouple nut in the back of the pilot burner by half a turn. This will release the thermocouple.
- 7.4 When replacing the thermocouple into the pilot burner ensure the component is pushed fully into the hole. There is a stop on the thermocouple to set the height.
- 7.5 Lock the retaining nut just enough to grip the thermocouple.
- 7.6 Replace the lower panel.

8. IGNITION LEAD

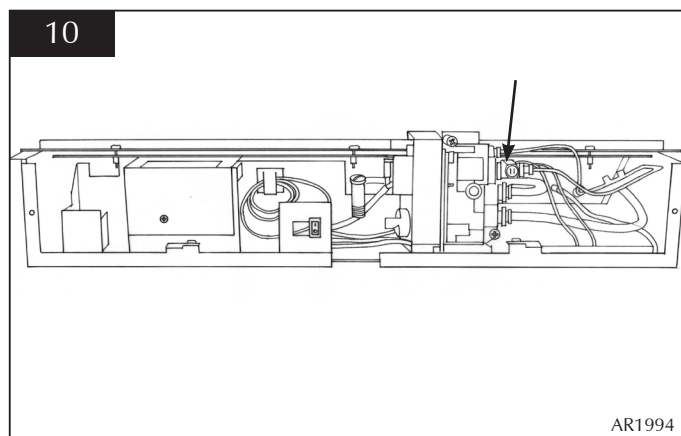
- 8.1 Remove the lower panel and pull the ignition lead off the electrode.
- 8.2 Release the wires from the central white clip and carefully cut the cable ties. This will release the ignition lead. See diagram 9, Arrow B.



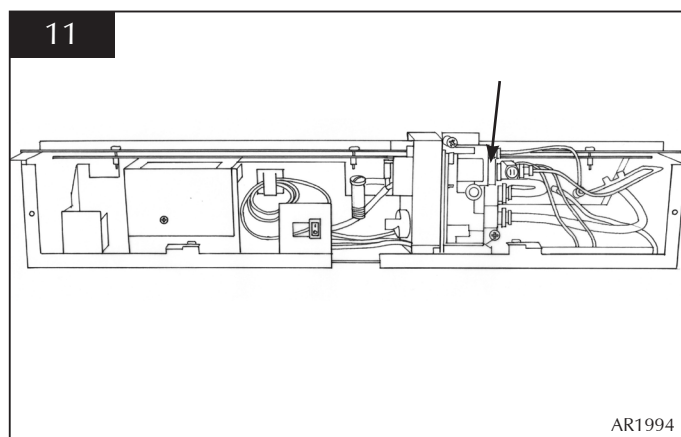
- 8.3 Replace with a new lead, replace with new cable ties and fit the wires back into the clip.
- 8.4 Re-fit the panel and ensure no wires are trapped.

9. MAGNETIC SAFETY VALVE

- 9.1 • Turn the gas off at the isolation device.
- 9.2 • Remove the lower panel, Diagram 6
- 9.3 • Undo the thermocouple from the interrupter block and remove the two thermo current cables
 - Unscrew the interrupter block from the back of the valve. Diagram 10



- 9.4 Support the valve and remove the magnetic valve retaining nut, Diagram 11



- 9.5 Reassemble in reverse order and check for gas leaks.

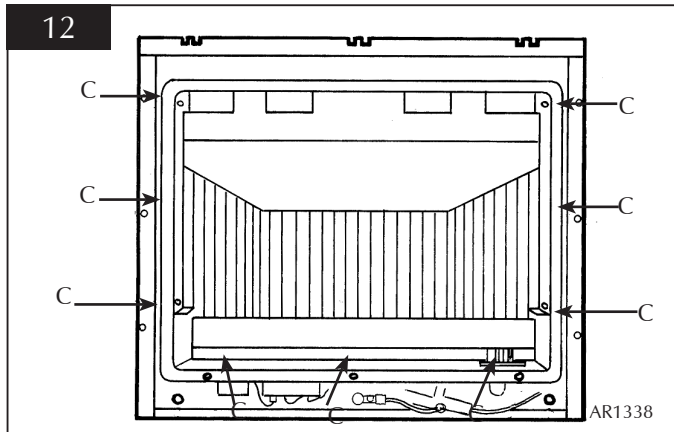
SERVICING INSTRUCTIONS

REPLACING PARTS

10. MAIN INJECTOR

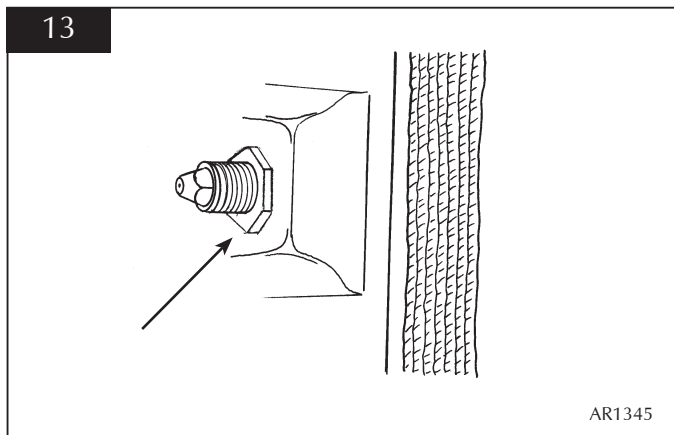
10.1 Remove the lower panel. See diagram 6.

10.2 Remove the glass frame. See diagram 12 arrow C.

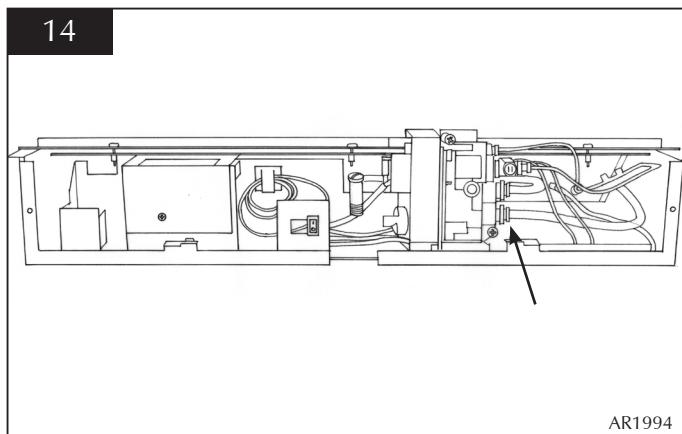


10.3 Remove the main burner as described in section 2.

10.4 Remove the locknut from the injector. See diagram 13



10.5 Remove the feed pipe from the gas valve. See diagram 14.



10.6 Remove the feed pipe with the injector attached from the appliance. Note the orientation of the injector on the pipe.

10.7 Reassemble in reverse order and check for gas leaks.

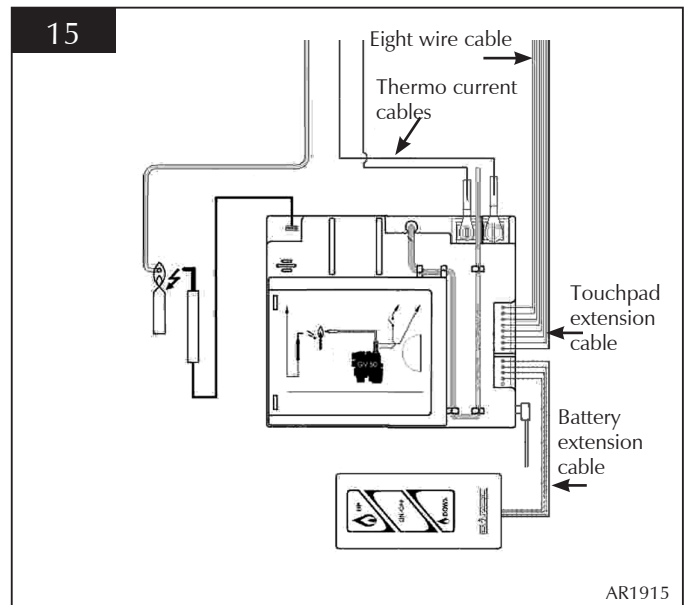
11. CONTROL BOX

11.1 Remove the lower panel, Diagram 6

11.2 Press on/off switch retaining clips in and pop out the switch. Turn the switch to pass it through the retaining bracket.

11.3 Remove the two screws holding the control box to the bracket. Slide the control box to the right and remove from the bracket.

- 11.4
- Remove the two thermo current cables by removing the two screws, Diagram 15
 - Remove the eight loom wire from the control box, Diagram 15



- Remove the battery extension cable, Diagram 15
 - Remove the touch pad extension cable, Diagram 15
- The control box can now be replaced.

11.5 After replacing the control box you may need to reprogram the handset:

- Press and hold the reset button on the control box until you hear two signals. After the second longer signal:
 - Release the reset button and within 20 seconds
 - Press the DOWN button on the handset until you hear an additional long signal confirming the new code

SERVICING INSTRUCTIONS

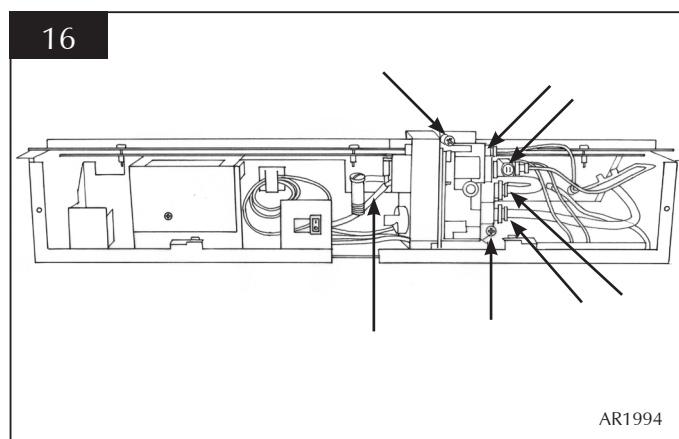
REPLACING PARTS

12. GAS VALVE

12.1 To change the gas valve:

- Disconnect the inlet pipe
- Disconnect the feed pipe
- Disconnect the pilot pipe
- Disconnect the thermocouple, thermo current wires and the interrupter block
- Remove the two screws and rotate the valve to access the front

The cable can now be removed from the valve, Diagram 16



- Reassemble in reverse order and check for leaks

13. CHANGING BETWEEN GAS TYPES

In order to change between gas types it will be necessary to change the following items.

Main Injector

Main Burner

Pilot Injector

Control Valve

Thermocouple (NG to LPG only).

LPG to NG no change).

Data Badge

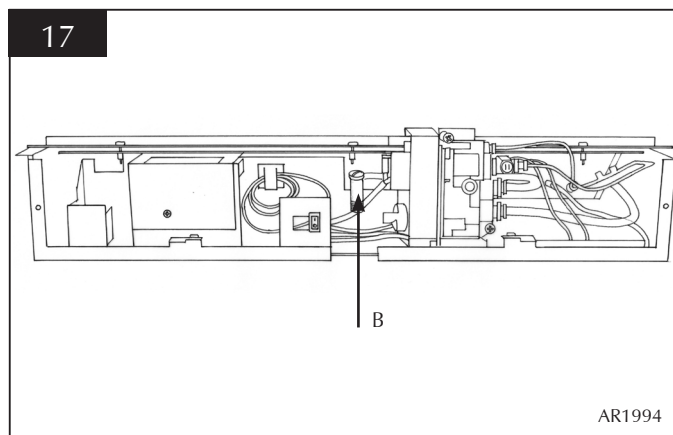
14. CONTROL BRACKET ASSEMBLY

NOTE: THIS ONLY NEEDS TO BE DONE IF ACCESS IS TO THE CONTROLS IS RESTRICTED.

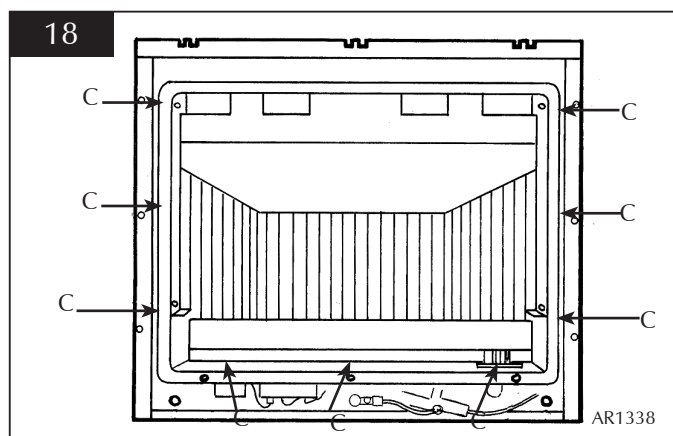
14.1 Remove the outer decorative front, refer to the instructions supplied with the front. (FOR VETRO, PLANO AND STEEL FRAMES, MAKE SURE THAT THE TOUCHPAD IS REMOVED FROM THE HARNESS BEFORE FRAME REMOVAL)

14.2 Remove the lower panel. See diagram 6 above.

14.3 Disconnect the gas pipe at the isolation device. See diagram 17 arrow B.

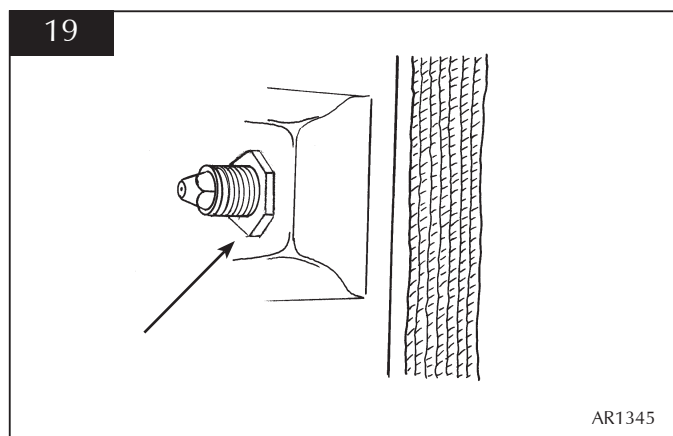


14.4 Remove the glass frame. See diagram 21 arrow C.



14.5 Remove the main burner as described in Section 2, Replacing Parts

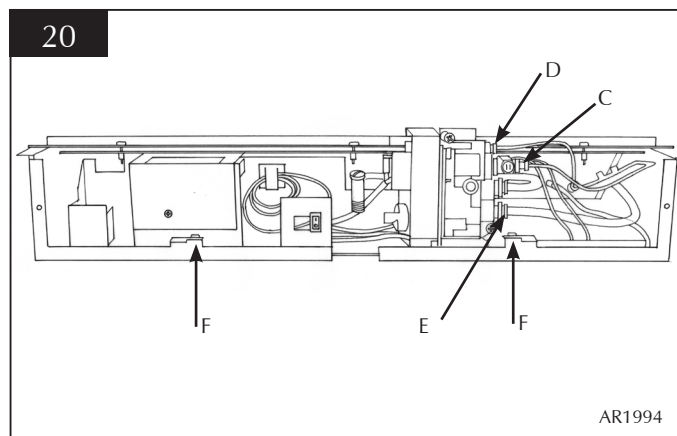
14.6 Remove the injector locknut. See diagram 19.



SERVICING INSTRUCTIONS

REPLACING PARTS

- 14.7 Disconnect the touch pad from the harness (DESIGNIO FRAME ONLY)
- 14.8 Disconnect the ignition lead from the electrode.
- 14.9 Remove the thermocouple. See diagram 20 arrow C.
- 14.10 Remove the pilot pipe and ensure the pilot injector is kept safe, Diagram 20, Arrow D



- 14.11 Remove the injector feed pipe from the valve, Diagram 20, Arrow E.
- 14.12 Remove the two screws securing the control bracket to the appliance, Diagram 20, Arrow F
- 14.13 Tilt the front edge of the bracket down slightly and move the assembly to the right. The assembly can now be lifted clear of the appliance.
- 14.4 Reassemble in reverse order and check for gas leaks.

SERVICING INSTRUCTIONS

REPLACING PARTS

15. SHORT SPARES LIST

| Component | NG | LPG | |
|----------------------------|---------|---------|--------|
| | | Propane | Butane |
| Burner Unit | GC0104 | GC0105 | GC0106 |
| Main Injector | IN0053 | IN0052 | |
| Pilot Injector | PI0069 | PI0070 | |
| Thermocouple | PI0071 | PI0072 | |
| Control Box | GC0150 | | |
| Gas Valve | GC0123 | | |
| Mag Unit | GC0092 | | |
| IGN Lead | GC0125 | | |
| Spark Electrode | PI10073 | | |
| Ceramic Rear Panel | CE0474 | | |
| Window Frame Assembly | GZ3949 | | |
| Remote Control | GC0149 | | |
| Interrupter Block | GC0124 | | |
| Thermocurrent Cable | GC0126 | | |
| Thermocurrent Switch Cable | GC0128 | | |
| Touch pad | GC0143 | | |
| Touch pad lead | GC0155 | | |
| Battery Holder | EL0410 | | |
| Battery Holder Cable | GC0127 | | |
| Control Box / Valve Cable | GC0133 | | |
| Burner Retention Spring | FA0407 | | |

SERVICE RECORDS

1ST SERVICE

Date of Service:.....

Next Service Due:.....

Signed:.....

Dealer's Stamp/Gas Safe Registration Number

2ND SERVICE

Date of Service:.....

Next Service Due:.....

Signed:.....

Dealer's Stamp/Gas Safe Registration Number

3RD SERVICE

Date of Service:.....

Next Service Due:.....

Signed:.....

Dealer's Stamp/Gas Safe Registration Number

4TH SERVICE

Date of Service:.....

Next Service Due:.....

Signed:.....

Dealer's Stamp/Gas Safe Registration Number

5TH SERVICE

Date of Service:.....

Next Service Due:.....

Signed:.....

Dealer's Stamp/Gas Safe Registration Number

6TH SERVICE

Date of Service:.....

Next Service Due:.....

Signed:.....

Dealer's Stamp/Gas Safe Registration Number

7TH SERVICE

Date of Service:.....

Next Service Due:.....

Signed:.....

Dealer's Stamp/Gas Safe Registration Number

8TH SERVICE

Date of Service:.....

Next Due:.....

Signed:.....

Dealer's Stamp/Gas Safe Registration Number

9TH SERVICE

Date of Service:.....

Next Service Due:.....

Signed:.....

Dealer's Stamp/Gas Safe Registration Number

10TH SERVICE

Date of Service:.....

Next Service Due:.....

Signed:.....

Dealer's Stamp/Gas Safe Registration Number

Gazco Limited, Osprey Road, Sowton Industrial Estate, Exeter, Devon, England EX2 7JG
Tel: (01392) 261999 Fax: (01392) 444148 E-mail: info@gazco.com

A member of the Stovax Group